

# REACH-IN

## REFRIGERATOR / FREEZER



Fan cooling



Digital



LED lamp

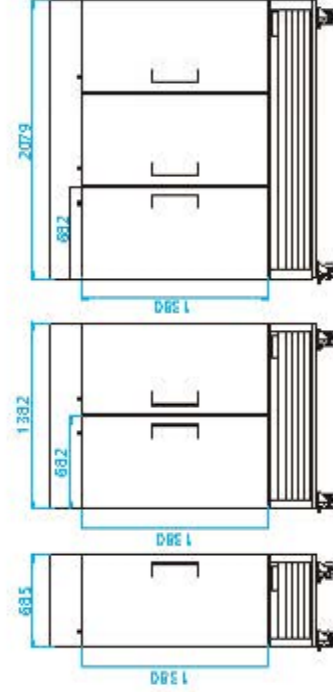
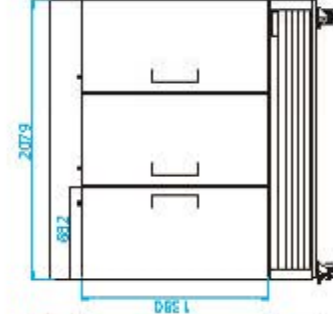
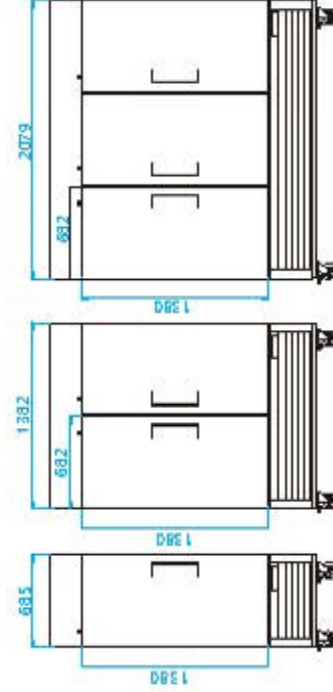
MR-23  
MF-23



MR-49  
MF-49



MR-83  
MF-83



- A high density, CFC free polyurethane insulation
- All the electronic parts are ETL certified

MODEL	MR-23	MF-23	MR-49	MF-49	MR-83	MF-83
Classification	Refrigerator	Freezer	Refrigerator	Freezer	Refrigerator	Freezer
Cabinet dimension (WxDxH mm)	685*800*2115	685*800*2115	1382*800*2115	1382*800*2115	2079*800*2115	2079*800*2115
Cabinet dimension (WxDxH mm)	27 1/4*31 1/2*83 1/4	27 1/4*31 1/2*83 1/4	54 1/2*43 1/2*83 1/4	54 1/2*43 1/2*83 1/4	81 3/4*53 1/2*83 1/4	81 3/4*53 1/2*83 1/4
Capacity (L/Cuft)	547/19.32	547/19.32	1252/44.21	1252/44.21	1711/60.42	1711/60.42
Inner Temperature (°F)	33~41	-13~-5	33~41	-13~-5	33~41	-13~-5
Refrigerant	R290					
Insulation Type	Polyurethane / Cyclopentane + CFC Free					
Amps (A)	1.5	2.6	3	5.2	3.2	7.2
Voltage (V/Hz)	115/60					
Weight (Kg)	115	120	190	198	260	285
Power (W)	173	299	345	598	368	828
#of doors	1	1	2	2	3	3