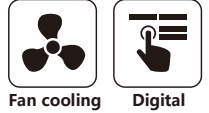


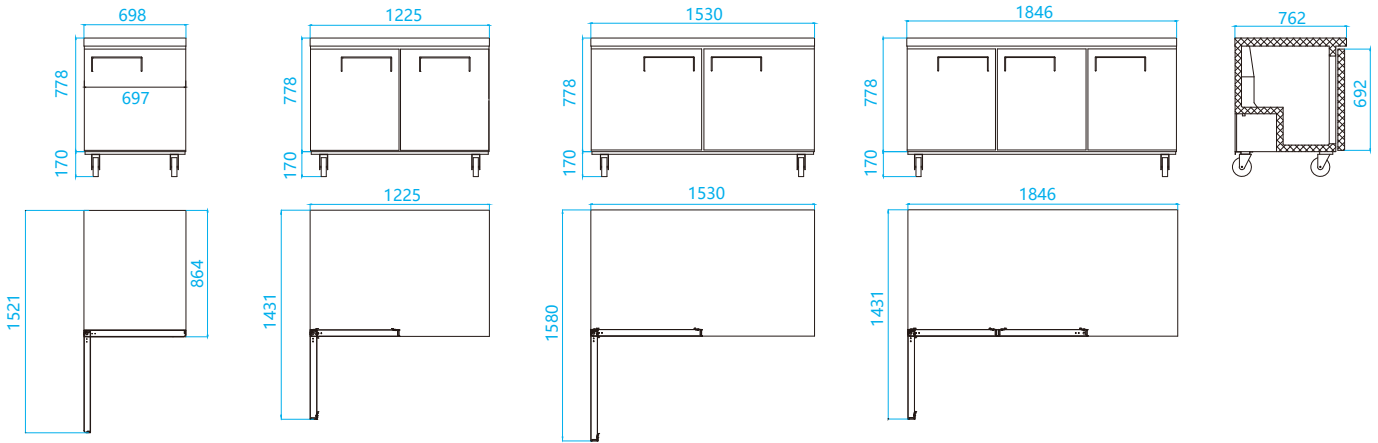
UNDER COUNTER REFRIGERATOR / FREEZER



MTR-27
MTF-27

MTR-48 / MTR-60
MTF-48 / MTF-60

MTR-72
MTF-72



- High efficient compressor brand name Cubigel
- Ventilated refrigeration system with fast cooling speed
- Automatic on-off interior lighting and evaporator fan

MODEL	MTR-27	MTF-27	MTR-48	MTF-48	MTR-60	MTF-60	MTR-72	MTF-72
Classification	Refrigerator	Freezer	Refrigerator	Freezer	Refrigerator	Freezer	Refrigerator	Freezer
Cabinet dimension (WxDxH mm)	698*762*929	698*762*929	1225*762*929	1225*762*929	1530*762*929	1530*762*929	1846*762*929	1846*762*929
Cabinet dimension (WxDxH inch)	27 ^{1/2} *30*36 ^{1/2}	27 ^{1/2} *30*36 ^{1/2}	44 ^{1/3} *30*36 ^{1/2}	33 ^{1/3} *30*36 ^{1/2}	60 ^{1/3} *30*36 ^{1/2}	60 ^{1/3} *30*36 ^{1/2}	72 ^{1/2} *30*36 ^{1/2}	72 ^{1/2} *30*36 ^{1/2}
Capacity (L/Cuft)	202/7.13	202/7.13	368/13	368/13	476/16.81	476/16.81	576/20.34	576/20.34
Inner Temperature (°F)	33~41	-13~-5	33~41	-13~-5	33~41	-13~-5	33~41	-13~-5
Refrigerant	R290							
Insulation Type	Polyurethane / Cyclopentane + CFC Free							
Amps (A)	1.5	1.6	1.7	2.3	1.9	3	2	4.2
Voltage (V/Hz)	115/60							
Weight (Kg)	58	58	78	82	90	94	107	111
Power (W)	173	184	196	265	219	345	230	483
#of doors	1	1	2	2	2	2	3	3