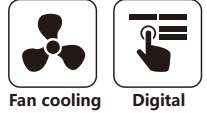


SALAD SIDE PREP TABLE

REFRIGERATOR / FREEZER



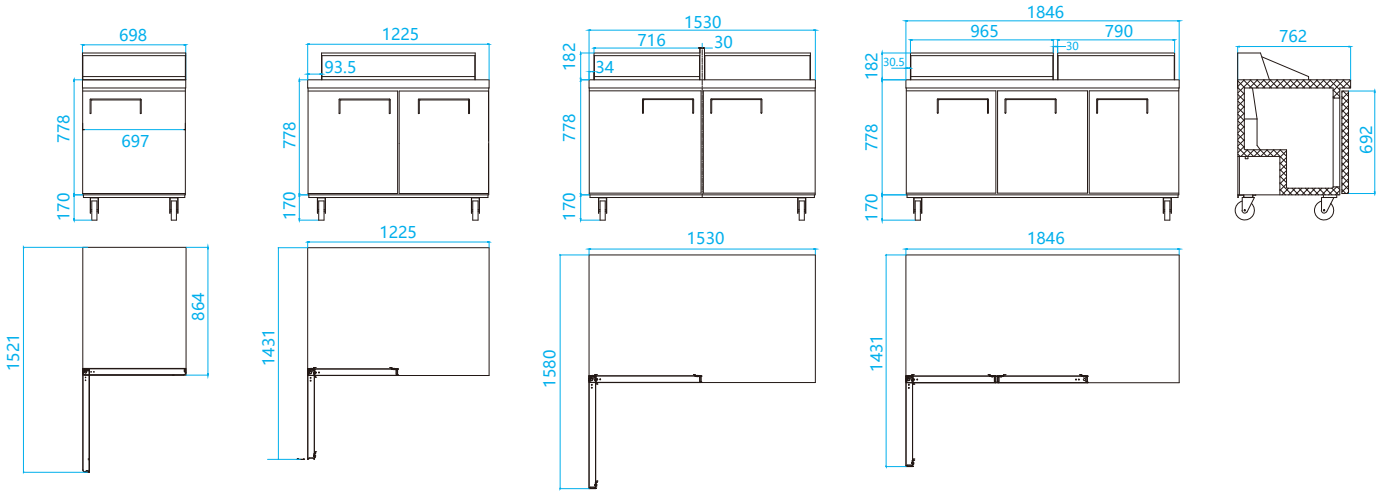
MSR-27M
MSR-27



MSR-48M / MSR-60M
MSR-48 / MSR-60



MSR-72M
MSR-72



- Self-closing and stay open door
- Door lock

MODEL	MSR-27M	MSR-27	MSR-48M	MSR-48	MSR-60M	MSR-60	MSR-72M	MSR-72
Classification	Refrigerator	Refrigerator	Refrigerator	Refrigerator	Refrigerator	Refrigerator	Refrigerator	Refrigerator
Cabinet dimension (WxDxH mm)	698*762*1109	698*863*1181	1225*762*1109	1225*863*1181	1530*762*1109	1530*863*1181	1846*762*1109	1846*863*1181
Cabinet dimension (WxDxH inch)	27 ^{1/2} *30 *43 ^{1/2}	27 ^{1/2} *34 *46 ^{1/2}	44 ^{1/3} *30 *43 ^{1/2}	44 ^{1/3} *34 *46 ^{1/2}	60 ^{1/3} *30 *43 ^{1/2}	60 ^{1/3} *34 *46 ^{1/2}	72 ^{1/2} *30 *43 ^{1/2}	72 ^{1/2} *34 *46 ^{1/2}
Capacity (L/Cuft)	202/7.13	202/7.13	368/13	368/13	476/16.81	476/16.81	576/20.34	576/20.34
Inner Temperature (°F)	33~41	33~41	33~41	33~41	33~41	33~41	33~41	33~41
Refrigerant	R290							
Insulation Type	Polyurethane / Cyclopentane + CFC Free							
Amps (A)	1.8	1.8	1.8	1.8	2.9	2.9	3.2	3.2
Voltage (V/Hz)	115/60							
Weight (Kg)	67	68	95	96	112	114	134	137
Power (W)	207	207	207	207	334	334	368	368
#of doors	1	1	2	2	2	2	3	3