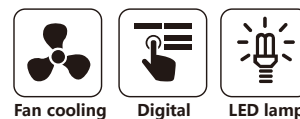


REACH-IN

REFRIGERATOR / FREEZER



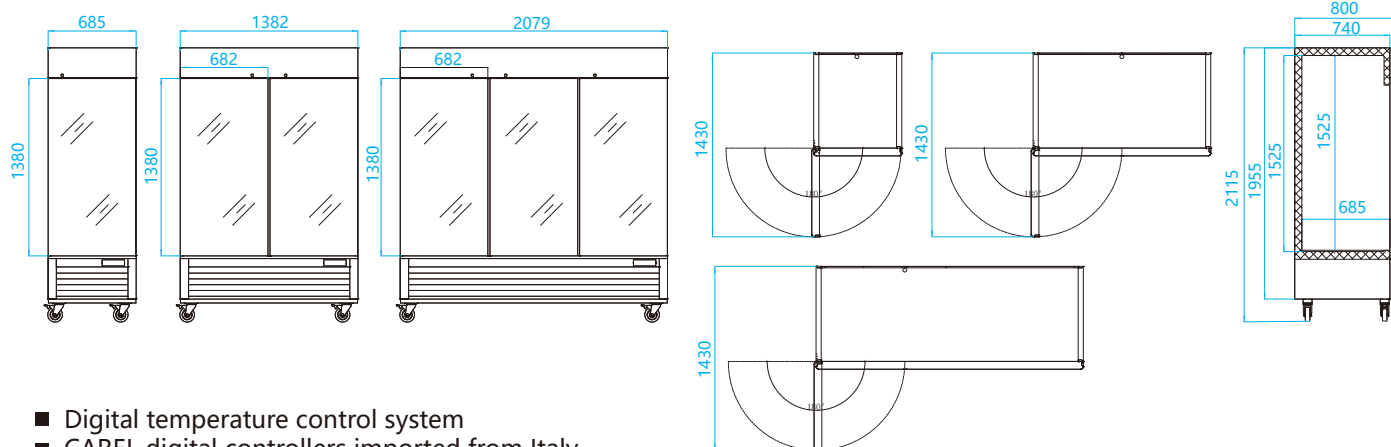
MR-23G
MF-23G



MR-49G
MF-49G



MR-83G
MF-83G



- Digital temperature control system
- CAREL digital controllers imported from Italy

MODEL	MR-23G	MF-23G	MR-49G	MF-49G	MR-83G	MF-83G
Classification	Refrigerator	Freezer	Refrigerator	Freezer	Refrigerator	Freezer
Cabinet dimension (WxDxH mm)	685*800*2115	685*800*2115	1382*800*2115	1382*800*2115	2079*800*2115	2079*800*2115
Cabinet dimension (WxDxH mm)	27 ^{1/2} *31 ^{1/2} *83 ^{1/4}	27 ^{1/2} *31 ^{1/2} *83 ^{1/4}	54 ^{1/2} *31 ^{1/2} *83 ^{1/4}	54 ^{1/2} *31 ^{1/2} *83 ^{1/4}	81 ^{3/4} *31 ^{1/2} *83 ^{1/4}	81 ^{3/4} *31 ^{1/2} *83 ^{1/4}
Capacity (L/Cuft)	547/19.32	547/19.32	1252/44.21	1252/44.21	1711/60.42	1711/60.42
Inner Temperature (°F)	33~41	-13~-5	33~41	-13~-5	33~41	-13~-5
Refrigerant	R290					
Insulation Type	Polyurethane / Cyclopentane + CFC Free					
Amps (A)	1.5	2.6	3	5.2	3.2	7.2
Voltage (V/Hz)	115/60					
Weight (Kg)	115	120	190	198	260	285
Power (W)	173	299	345	598	368	828
#of doors	1	1	2	2	3	3